



My Tool Box



Tenon Saw – Used to cut straight lines in wood.



Try Square – Used to mark out right angles.



Pillar/Bench Drill – Used to drill holes into different materials.



Laser-cutter- Used to laser-cut and engrave material.



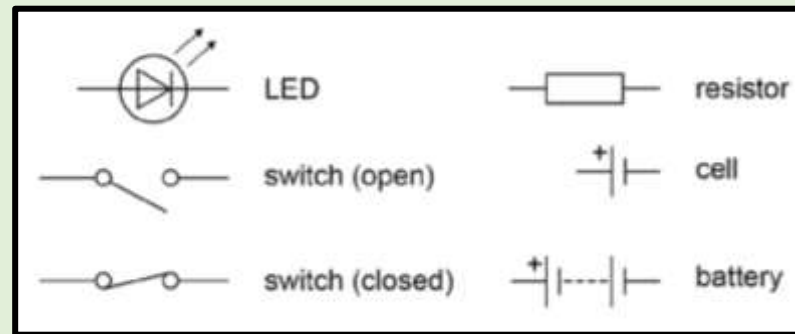
Soldering iron – Used to melt solder to join electrical components together



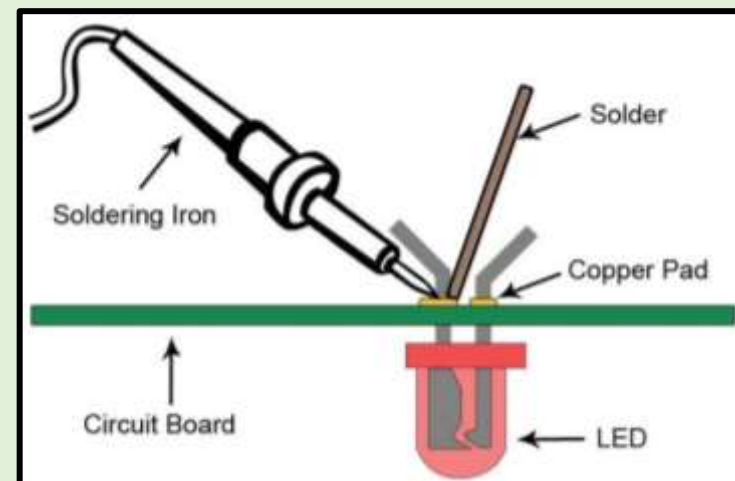
Wire strippers – Used to remove the insulation from around wires

Focused topics

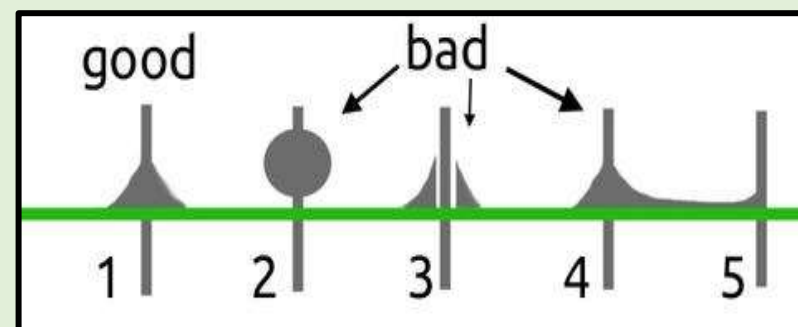
Electronic circuit symbols



How to Solder



Good and bad solder joints



Key Terms

Computer aided design (CAD) - The process of creating a 2D or 3D design using computer software.

Computer aided manufacture (CAM) -The manufacture of a part or product from a computer aided design (CAD) using computer-controlled machinery.

Circuit – a circuit is a complete path around which electricity can flow

Components - any basic discrete device or physical entity in an electronic system (LED, switch, resistor)

Conductor - Materials that allow electric current to pass through them easily

Insulator - Materials that don't allow electric current to pass through them easily

Solder - an alloy (usually of lead and tin) used when melted to join two metal surfaces.

Tasks

Task 1: Learn the tool names and their use.

Task 2: Learn the key words and the definition.

Task 3: Create 6 questions that can be answered from the information in the focused topic column.

Task 4: Draw two tools and write what they are for.

Task 5: Create a quiz based on task 1, 2 or 3. Get someone to test you.

Task 6: Create a mind map for the information you remember and red pen anything you've forgotten.

Task 7: Teach it. Create a task that can be used to teach some of the information from here.

To go further:

Introduction to isometric crating:



More information about natural and manufactured timber:

